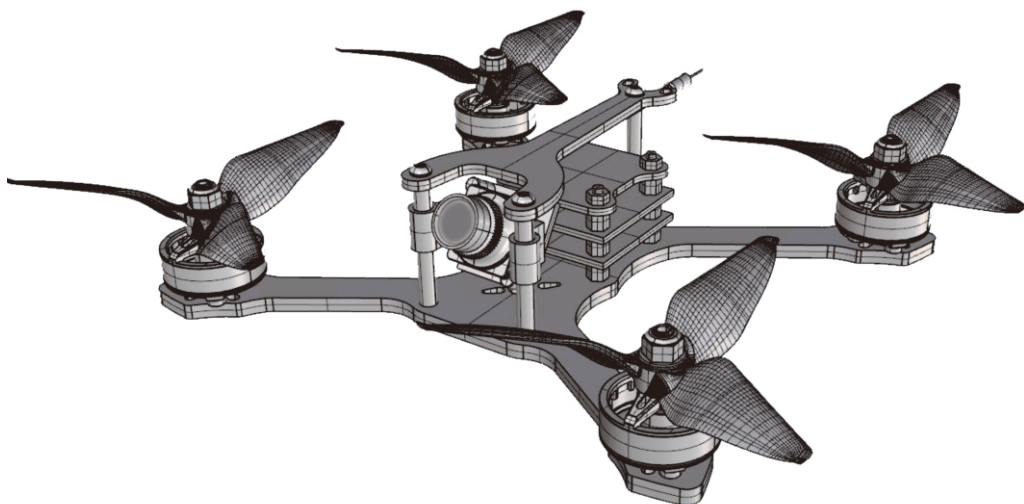


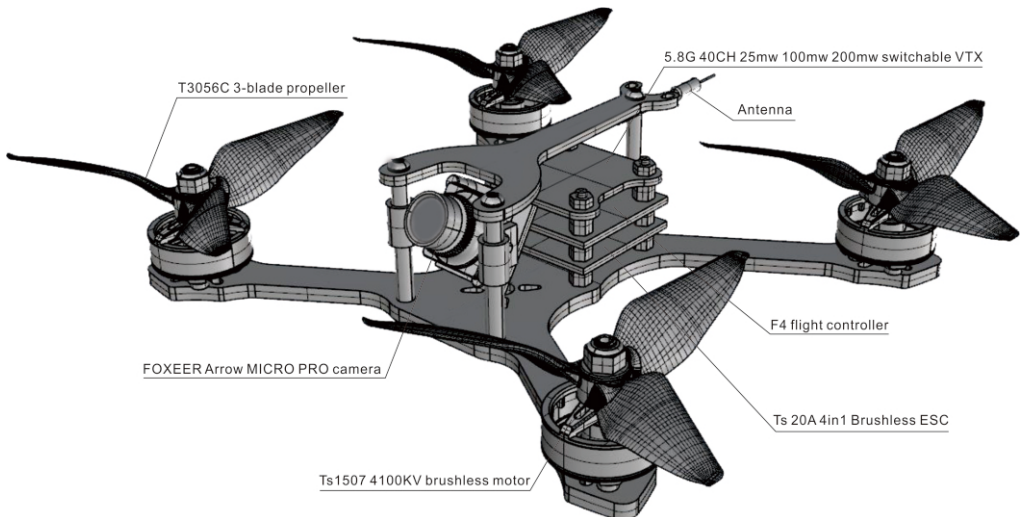
WIZARD TS 130

QUICK START GUIDE



Package included:

- 1 x Eachine Wizard TS130 frame kit
- 1 x TS 20A 4in1 Brushless ESC
- 4 x TS1507 4100KV brushless motor
- 1 x F4 flight controller
- 1 x FOXEER Arrow MICRO PRO camera
- 1 x 5.8G 40CH 25mw 100mw 200mw switchable VTX
- 2 x T3056C 3-blade propeller transparent white CW
- 2 x T3056C 3-blade propeller transparent white CCW
- 2 x T3056C 3-blade propeller blue CW
- 2 x T3056C 3-blade propeller blue CCW
- 1 x Antenna
- 1 x Battery strap
- 2 x Carbon fiber wrench
- 10 x Nylon cable tie



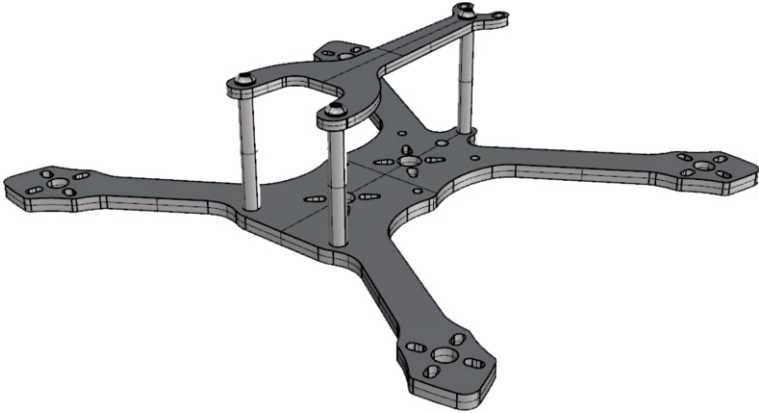
Contents

1.0 Frame kit-----	04
2.0 Motor-----	04
3.0 Esc-----	05
4.0 Flight controller-----	05
5.0 Switchable VTX-----	06-09
6.0 Camera-----	09
7.0 Motor Unlock/Lock-----	10
8.0 Traversing flight-----	10



1.0 Frame kit

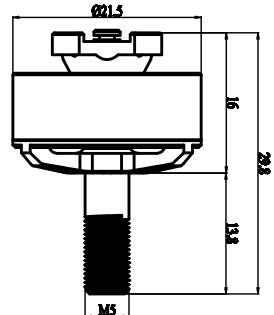
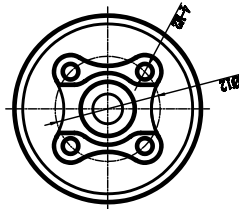
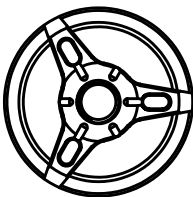
Wheelbase: 130mm
 Material: 3K carbon fiber
 Top plate thickness: 2mm
 Bottom plate thickness: 3mm
 Artist: hydrographics transfer printing



2.0 Motor

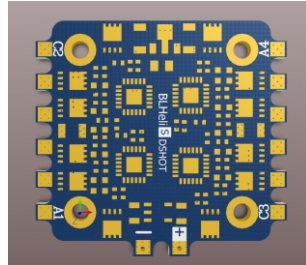
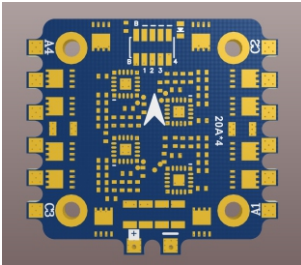
Idle Current (I₀/10V): 1.68A
 Lipo Cell: 3-4S
 Weight: 17.6g
 Max Continuous Current: 26A
 Max Continuous Power: 416W
 Max thrust: 626g(4S/3")
 Configu-ration: 9N/12P
 Motor Resistance (RM): 0.0495 Ω
 Stator Diameter: 15mm

Stator Thickness: 7mm
 Motor Diameter: 21.6mm
 Motor Body Length: 15.5mm
 Overall Shaft Length: 29mm
 Prop adapter shaft: M5
 Bolt holes spacing: 12mm
 Bolt thread: M2
 Propeller: 3"



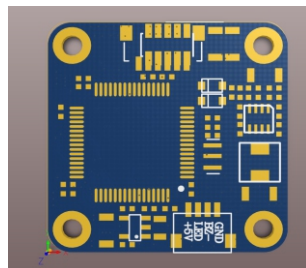
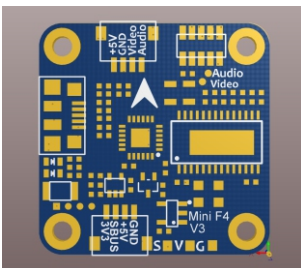
3.0 ESC

Continuous current: 20A
 Peak current (5S): 25A
 Input voltage: 2-4S
 Supports Dshot600, Dshot300, Dshot150
 Size: 27x27mm
 Weigt: 3.3g



4.0 Flight controller

CPU: f4STM32 F405 SCM
 Input voltage: 3-4S
 Sensor: MPU6000 SPI
 Built in OSD
 Built in 5V 2A BEC
 Size: 25x25mm
 Weight: 2.3g



5.0 Switchable VTX

Input voltage: 7-24V

Dimensions: 20x20mm

Size: 27mm×27mm×4.5mm

Adjustable 25mw / 100mw / 200mw

Supports smart audio (remote OSD parameter adjustment)

There are two ways to control the frequency and power of the launches:

Enter the release: FEATURES->VTX SA can enter the following interface.

<1> uses remote control to visualize control, as shown in Figure 1.1

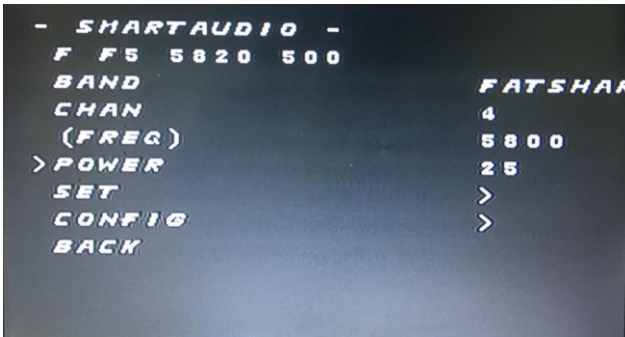


Figure 1.1

The second row is the status bar, respectively.

F:freestyle mode F5: is now in frequency band F, fifth frequency point.

5820: now has a frequency of 5820.

500: now has a transmit power of 500MW

Third lines

BAND: indicates frequency band, and BAND can be modified by remote control. A (BOSCAMA) B (BOSCAM B) E (BOSCAM E) F (FATSHARK) F (E)

Fourth lines

CHAN: represents frequency points, and the 1---8 can be modified by remote control.

Fifth lines

(FREQ): indicate the corresponding frequency now, changing with the band and Chan above.

Sixth lines

POWER: indicates the transmission power and can be adjusted.

5.0 Switchable VTX

Seventh lines

SET: Enter and select YES to confirm your BADN, CHAN, POWER settings and take effect immediately., as shown in Figure 1.2 below

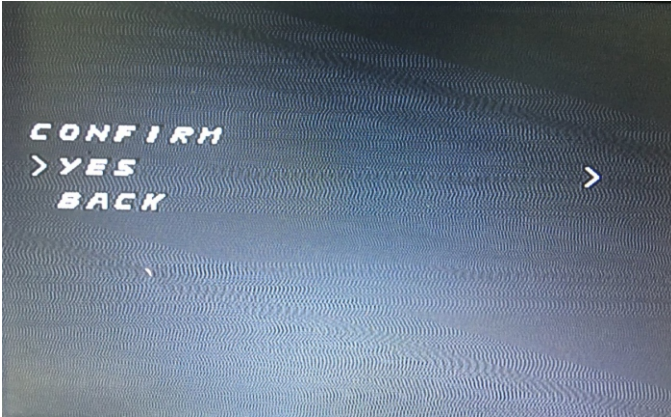


Figure 1.2

Eighth lines

The CONFIG: function is set in, as shown in Figure 1.3 below.

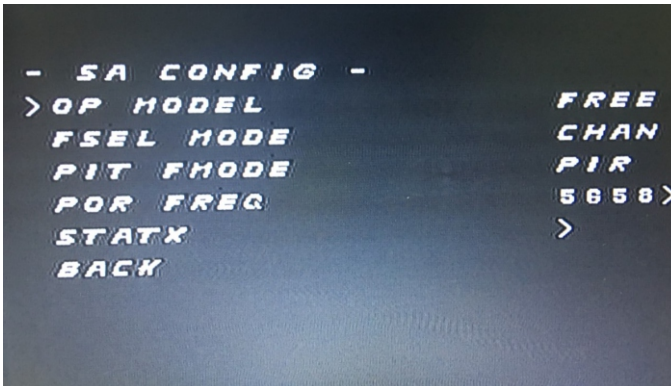


Figure 1.3

OP MODEL: mode adjustment, with free mode and race mode, needs reboot to take effect.

FSEL MODE: regulates frequency setting mode, CHAN and user, user mode is temporarily invalid.

PIT FMODE: PITMODE mode, with PIR and POR mode.

5.0 Switchable VTX

In the POR mode, POR FREQ: can enter into any frequency between 5300-5900, as shown in Figure 1.4.

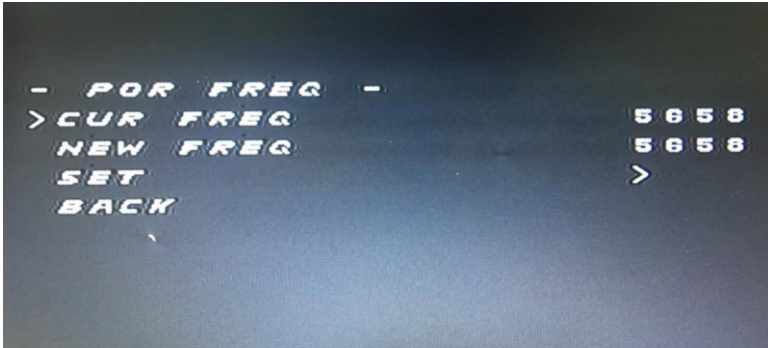


Figure 1.4

STATX: status information

<2>XMM-VTX is operated by a button with three LED lights (red light CH1-8; blue light BAND1-5; green light power 1-3 <25-100-200 mW>) and TBS Smart Audio remote control operation. Keyboard operation: Long press 3S (three LED indicators are all on) to open and enter CH switching operation, and the red light will flash, flashing once represents the current CH1 (2-8 times for CH2-CH8 respectively). At this time, a short press of the key CH plus 1 will flash the corresponding number of times. CH1-8 cycle. Press the button 3S (three LED lights are all on) to open and enter the BAND switching operation, and the blue light will flash. The flash once represents the current BAND1 (2-5 times for BAND2-BAND5 respectively). At this time, press the button BAND plus 1, and the blue light will flash correspondingly. BAND1-5 cycle. Press the button 3S (three LED lights are all on) again to open the power switching operation, and the green light will flash, one time represents the current power of the first grade (2-3 times for the green light flashing respectively), at this time, press the button power to add one gear, and the green light will flash the corresponding number of times. Power stall 1-3 cycle. Press the button 3S again (3 LED lights are all bright) to release the above settings again. Note that the previous settings will not be saved if the power is off before saving. For example, if CH is only set, it is also necessary to press 3S three times longer to save the settings. Long press button 8S (green light) quit PIT mode.

5.0 Switchable VTX

Band	CH1	CH2	CH3	CH4	CH5	CH6	CH7	CH8
Band-A	5865	5845	5825	5805	5785	5765	5745	5725
Band-b	5733	5752	5771	5790	5809	5828	5847	5866
Band-E	5705	5685	5665	5665	5885	5905	5905	5905
Band-F	5740	5760	5780	5800	5820	5840	5860	5880
Band-r	5658	5695	5732	5769	5806	5843	5880	5917

Note: In the remote control, the power of 25 corresponds to the actual 25 mW, 200 corresponds to the actual 100 mW, and 500/800 corresponds to the actual 200 mW.

6.0 Camera

Solution: 1/3" Sony SUPER HAD II CCD+Nextchip 2040 DSP

Pixel: PAL: 976(H) x 494(V); NTSC: 768(H) x 494(V)

TV System: PAL/NTSC (based on country)

Resolution: 600TVL(color) 650TVL(B&W)

Synchronization: internal

Min. Illumination: 0.01Lux

WDR: support

OSD programming board: support

White Dot Repair: support

DNR: 2D DNR

Camera Title: support

Image Adjustment: support

OSD: Edit Name, Power, Flying time

Input Power: 5-40V

Storage Temperature: -40 C ~ 60 C

Working Temperature: -10 C ~ 50 C

Power Consumption: 70mA

Low voltage alarm: Support

Preset mode: DEF, VIVID, SUNNY, CLOUDY, LED TR, USR1

Size: 18.5*19mm (bracket excluded)

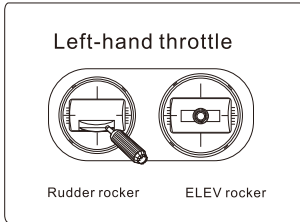
Weight: 5.3g (bracket excluded)



7.0 Motor Unlock/lock

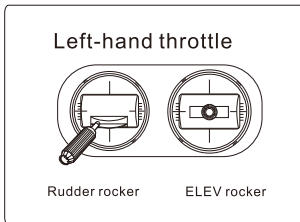
Motor Unlock

Put the throttle rocker at the lowest point, move the rudder rocker to the right and keep it for more than 2 seconds. The blue state indicator is always on, that is unlock the motor.

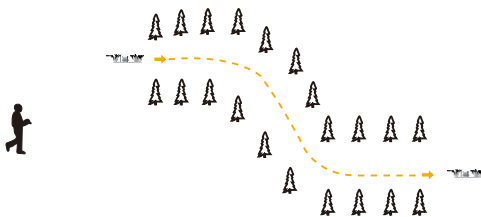


Motor lock

Put the throttle rocker at the lowest point, move the rudder rocker to the leftmost side, and the red state indicator is always turned on to lock the motor. At this time, pushing the throttle rocker motor upward will not rotate.



8.0 Traversing flight



- 1). Flying is more suitable for experienced pilots.
- 2). During the flight, please keep the flight within the video receiving range (the actual range depends on the flight environment and weather conditions).
- 3). During flight, please avoid crowd, animals and High voltage wires and other obstacles